

FACT SHEET

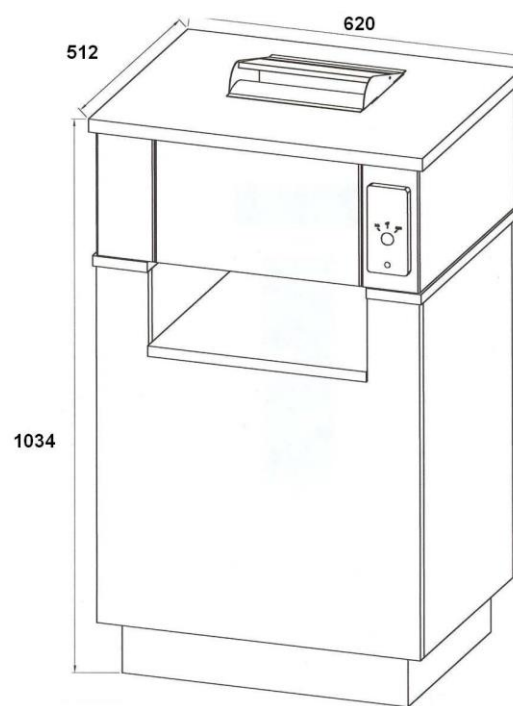
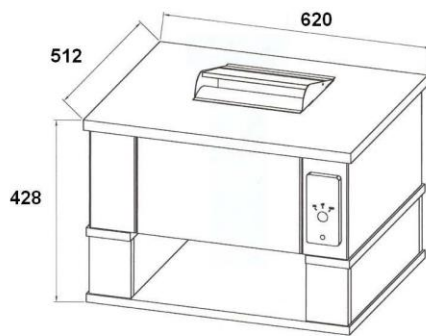
● Tobacco Cutter TCB-01/-02



TCB-02 Tobacco Cutter stand-alone unit

The TCB - Tobacco Cutter is used to cut tobacco leaves for laboratory purposes. It produces cut tobacco with a cutting width of 0.75 mm (min. 0.6 mm width) and is suitable for any kinds of tobacco. The cutting width can be changed by exchanging the cutting rollers and the corresponding combs.

The Tobacco Cutter is available as a desktop unit (TCB-01) and as a stand-alone unit (TCB-02).



TCB-01 desktop unit

TCB-02 stand-alone unit

Technical data

Cutting width:	0.75 mm (other upon request)
Tobacco infeed width:	250 mm
Performance:	approx. 10 kg / h*
Power consumption:	max. 0.7 kW
Operating voltage:	230 V, 50 Hz (115 V, 60 Hz on request)
Dimensions TCB-01:	620 x 512 x 428 mm (l x w x h)
Dimensions TCB-02:	620 x 512 x 1034 mm (l x w x h)
Weight TCB-01:	75 kg
Weight TCB-02:	105 kg

* Based on the optimal standard moisture of 10 – 12 %. The higher the moisture the lower the amount of cut tobacco.

Subject to alterations.