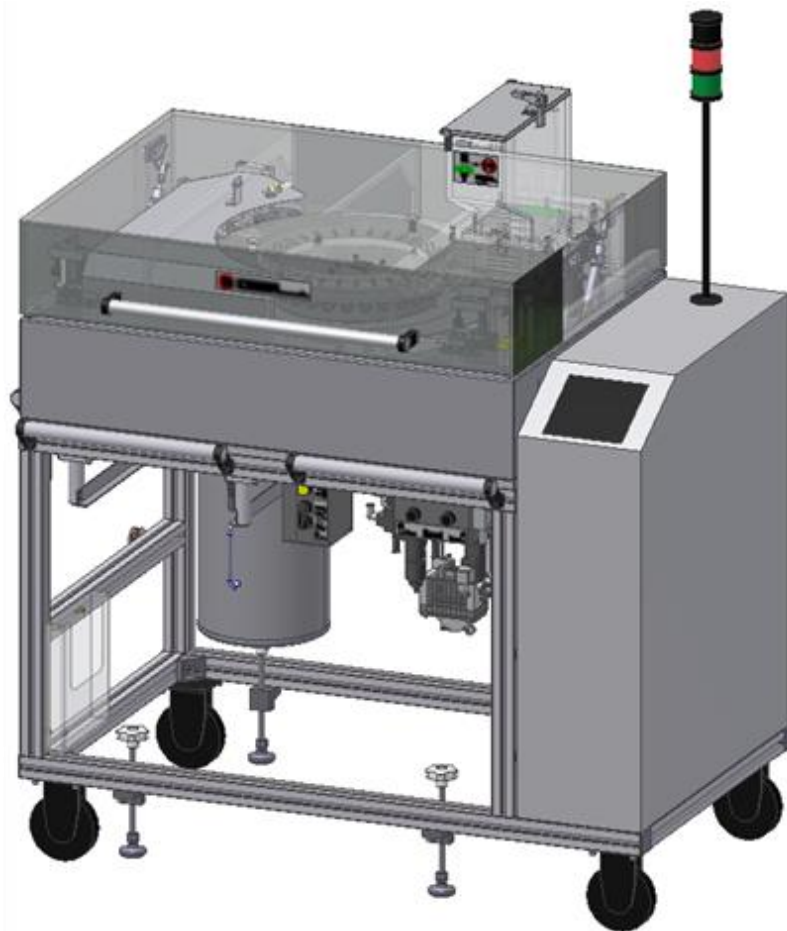


SM2000 Automated Smoke Generator



SM2000 Automated Smoke Generator

The SM2000 is an automated 30-port carousel smoking machine which is designed for continuous mainstream cigarette aerosol generation. The fully automated operation allows for continuous aerosol generation from conventional, so called lit end cigarettes over several hours.

The smoking machine SM2000 offers different ways to execute smoke runs. The optional machine setups cover most of the common standard smoking regimes like ISO 3308, ISO 7210, FTC, Health Canada and Massachusetts.

A separate aerosol pump like the PDSP SE for puffing the cigarettes is required.

Technical data

Smoke generation:	Max. 30 l/min
Magazine capacity:	Up to 800
Smoking ring:	30 ports
Cigarette diameter:	7.5 to 8.5 mm (other on request)
Cigarette length:	73 to 100 mm
Operation voltage:	230 V-AC ; 50 Hz
Power consumption:	450 W
Compressed air:	6 to 10 bar oil-free and dry
Ambient temperature:	15 to 30 °C
Dimensions:	800 x 1300 x 1700 mm (L x W x H)
Weight:	260 kg
Required Accessory:	PDSP SE double syringe pump

Subject to alterations.